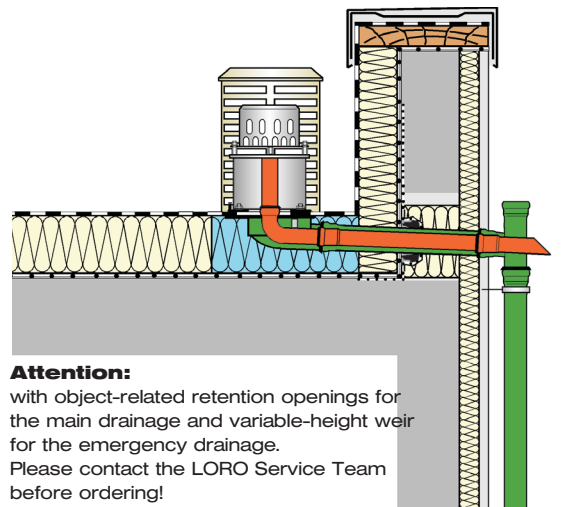


Specification sheet LX 1842

Retention roof drainage Main emergency combination

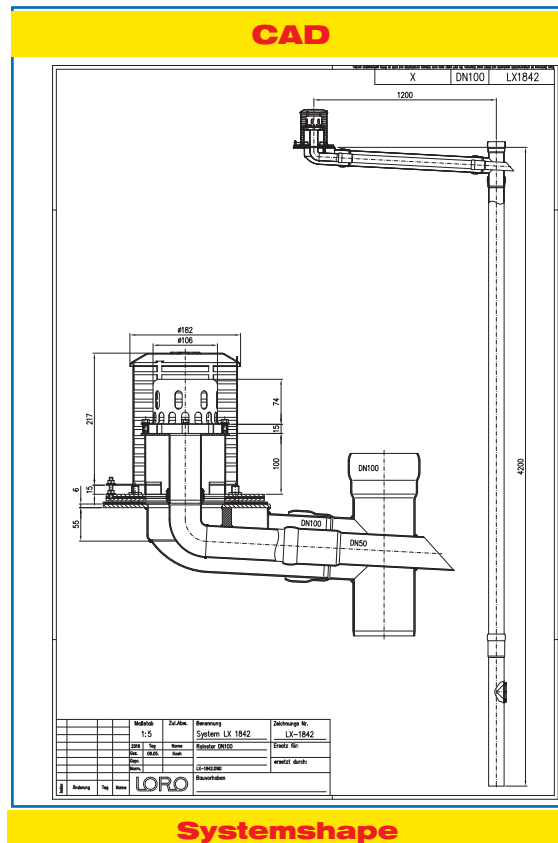
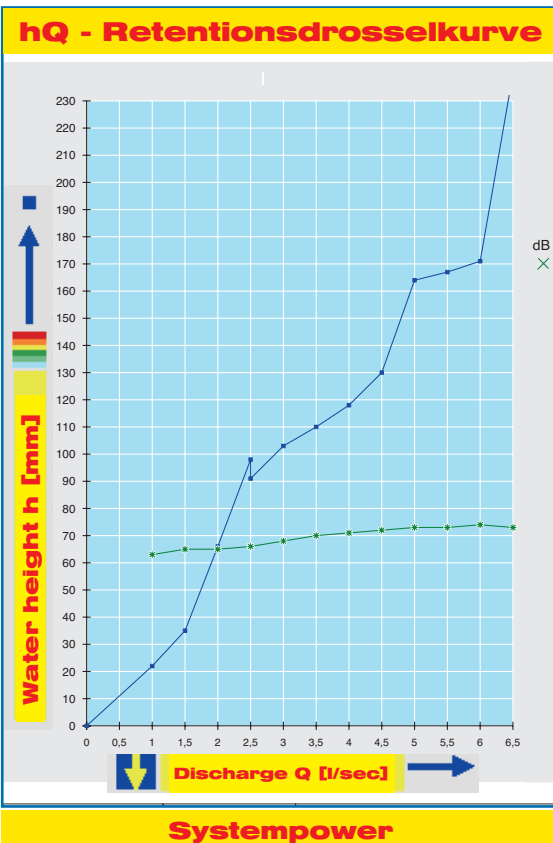
Main drainage		Emergency drainage	
Gravity flow		Gravity flow	
Combined			
Silent		Silent	
Discharge rate:	1,5 l/sec	Discharge rate:	2,1 l/sec
Water height:	35 mm	Water height:	75 mm
Roof penetration:	106 mm	Roof penetration:	106 mm
Diameter:	DN 100	Diameter:	DN 50
LX-Number:	LX 1842	LX-Number:	LX 1842
Weir height:	0 mm	Weir height:	100 mm
Drain:	ventilated	Drain:	ventilated
Downpipe:	ventilated	Downpipe:	not ventilated
Downpipe height:	min.4,2 m	Downpipe height:	0 m
Drainage:	in sewer	Drainage:	on floor
Flange:	Clamping flange	Flange:	Clamping flange



LX 1842 Piece list

- 1 x Art.-No. 01485.100 Retention roof drainage
- 2 x Art.-No. 01201.100X, LORO-X Pipe with one socket
- 1 x Art.-No. 01302.050X, LORO-X Pipe with one socket
- 1 x Art.-No. 13519.DBOX, LORO-X Branch
- 1 x Art.-No. 01101.100X, LORO-X Pipe with one socket
- 1 x Art.-No. 13235.100X, LORO-X Sliding flange

- 1 x Art.-No. 05510.100X, LORO-X Stand pipe
- 2 x Art.-No. 00911.050X, LORO-X Sealing elements
- 5 x Art.-No. 09911.100X, LORO X Sealing elements
- 3 x Art.-No. 00975.100X, LORO-X Pipe clips
- 3 x Art.-No. 09604.100X, LORO-X Threaded rods
- 1 x Art.-No. 00986.000X, LORO-X Lubricant



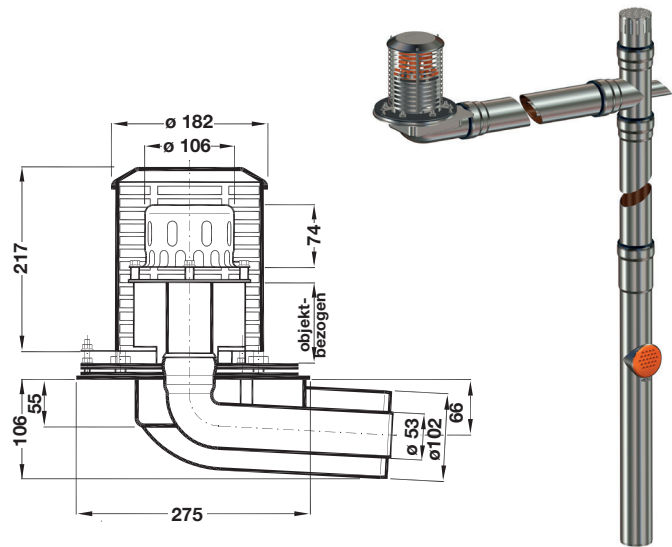
Water height	mm	35	40	45	50	55	60	70	80	90	100	110	120	130	140	150	160	170	180
Discharge	l/sec	1,5	1,6	1,7	1,8	1,9	1,9	2,1	2,2	2,5	2,8	3,5	4,0	4,5	4,6	4,7	4,9	6,0	6,1
Silent																			

LORO-X main and emergency combination retention roof drainage system

LX1842-4X

Main and emergency combination retention roof drainage system
Art.-No. 01485.100X
Weight: 9,3 kg

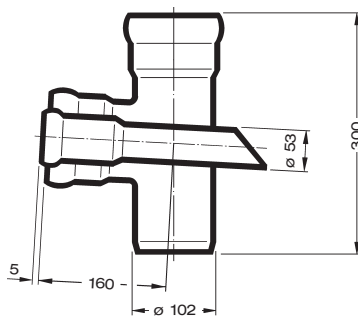
with clamping flange
for bituminous and plastic roofing sheets



LORO-X Branch - Pipe in Pipe-

- for LORO-X main and emergency combination retention roof drainage, made of galvanized steel, DN 100/50

Art.-No. 13519.DB0X
Weight: 2,1 kg



LORO-X Stand pipe

with cleaning opening, made of galvanized steel, DN 100

Art.-No. 05510.100X
Weight: 4,5 kg



LORO-X Pipe with long socket

-emergency drain pipe(inner pipe) for combined LORO-X main & emergency parapet drains, made of galvanised steel, DN 50

length 500 m Art.-No. 01302.050X



Heat tracing: Lorowerk recommends to check all drains and pipes with regard to their frost-sensibility. Where necessary, these parts should be upgraded with heat tracing.